



ADAPT PENDANT

### ADAPT PENDANT

ADAPT Pendant is a series of designer pendants, anchoring hardware, LED light engine and ADAPT glassware, which produce multiple mix and match options.

Based on the ADAPT light string series, Tivoli adds another element that can be designed into your interior space to connect your exterior element.



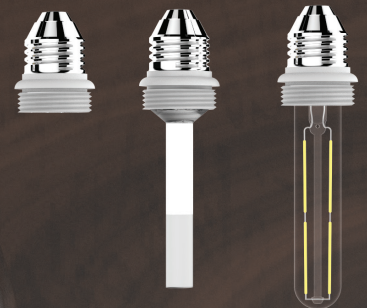
### PENDANT STYLE

Multiple styles, shapes, materials and colors to choose from, allowing you to find the perfect fit for your design. Matching cord and drop anchor gives you the freedom to explore different hanging configurations to overcome difficult applications.



### ADAPT GLASS

Our highly popular ADAPT glassware can be used as an indoor designer pendant. With 11 globe options to choose from, ADAPT becomes an exceptionally versatile system that can evolve to your specific taste. All globes are conformal coated with shatter resistant silicone to reduce or prevent fragmenting should the glass break.



### LIGHT ENGINE

3 LED Light engines that produce 3 distinctly different effects are available. COB (Chip On Board), filament (T25), and pillar with frosted tip, give you another tool to complete the look you are trying to achieve. 3 standard color temperatures are available: 2700K, 4000K and 6500K.

# ADAPT PENDANT

## Light Engine Specifications

Light Engines (based on 2700K)			
Type	COB	FILAMENT	PILLAR
Kelvin Temperature	2700K, 4000K, 6500K	2700K	2700K, 4000K, 6500K
Lumens/bulb	350	400	350
Power Consumption W/blub	3	4	3
Efficiency (Lm/W)	116.6	100	116.6
CRI	80+		
Input Voltage	120V		
Physical			
Base	E26		
Certification and Testing			
Certification	cULus		
IP Rating	IP54		
Environment	Indoor		
Warranty	5 years		

## Pendant Specifications

Physical	
Socket Base Material	Electroplated Aluminum
Textile Cord Length	118"
Anchor Cord Length	48"
Canopy Diameter	4.75"
Weight	2 lbs.
Electrical	
Input Voltage	120V

## ADAPT Glass Specifications

Physical	
Globe Material	Glass (Shatter resistance assist with silicone coating - Glass may still break under certain conditions)
Globe Size	G125, S60

### Pendant Ordering Information

PRODUCT CODE

STYLE

**ADP**

ADP = ADAPT Pendant

[ ]

**STE** = Stephen  
**AND** = Andres\*  
**VIN** = Vincent  
**JAV** = Javier\*  
**WIL** = William  
**MAR** = Mark\*



**Stephen**  
White



**Andres\***  
Brass



**Vincent**  
Bronze



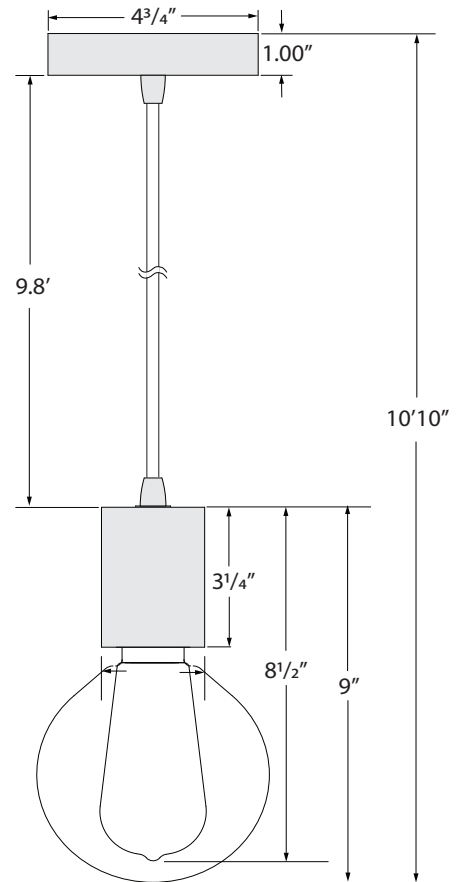
**Javier\***  
Brass



**William**  
Gun Metal Black



**Mark\***  
Black Marble



\*Consult Factory for MOQ and Lead Time

### Light Engine Ordering Information



**COB LIGHT**  
**ALS-CB-NA-E26-3W-27K**  
 COB, 2700K, Sold Each  
**ALS-CB-NA-E26-3W-40K**  
 COB, 4000K, Sold Each  
**ALS-CB-NA-E26-3W-65K**  
 COB, 6500K, Sold Each  
**ALS-CB-NA-E26-3W-27K-6PK**  
 COB, 2700K, Sold 6 Pack  
**ALS-CB-NA-E26-3W-40K-6PK**  
 COB, 4000K, Sold 6 Pack  
**ALS-CB-NA-E26-3W-65K-6PK**  
 COB, 6500K, Sold 6 Pack



**FILAMENT LIGHT**  
**ALS-TF-T25-E26-4W-27K**  
 Filament Light 2700K, Sold Each  
**ALS-TF-T25-E26-4W-27K-6PK**  
 Filament Light 2700K, Sold 6 Pack



**PILLAR LIGHT**  
**ALS-LG-T20-E26-3W-27K**  
 Pillar, 2700K, Sold Each  
**ALS-LG-T20-E26-3W-40K**  
 Pillar, 4000K, Sold Each  
**ALS-LG-T20-E26-3W-65K**  
 Pillar, 6500K, Sold Each  
**ALS-LG-T20-E26-3W-27K-6PK**  
 Pillar, 2700K, Sold 6 Pack  
**ALS-LG-T20-E26-3W-40K-6PK**  
 Pillar, 4000K, Sold 6 Pack  
**ALS-LG-T20-E26-3W-65K-6PK**  
 Pillar, 6500K, Sold 6 Pack

Globe Ordering Information



Gina  
LSA-GIN-N



Katie  
LSA-KAT-N



Ana  
LSA-ANA-N



Gaby  
LSA-GAB-N



Angela  
LSA-ANG-N



Brenda  
LSA-BRE-N



Victoria\*  
LSA-VIC-N



Susan\*  
LSA-SUS-N



Toni\*  
LSA-TON-N



Lucia\*  
LSA-LUC-N



Laura\*  
LSA-LAU-N

\*Consult Factory for MOQ and Lead Time.

Recommended Step-Down Transformers

CAT NO	PRIMARY	SECONDARY	TOTAL WATTAGE	DIMENSIONS
SC-250-277120A-SD	277V AC	120V AC	250W	3.30"W X 8.00"L X 3.10"D
SC-500-277120A-SD	277V AC	120V AC	500W	5.10"W X 10.20"L X 4.60"D
SC-1000-277120A-SD	277V AC	120V AC	1000W	5.06"W X 10.19"L X 4.59"D

Note: Consult Factory for Dimmer compatability options

**NOTE:**  
Tivoli recommends loading the transformer up to 90% capacity due to unknown installation environment. During installation, leave no less than 6" perimeter for ventilation. Consult power supply installation instructions for further details.

## ADAPT Pendant - How it works

**(A)** The unique placement of the drop anchor provides multiple configurations of the ADAPT Pendant to fit your application needs. Simply install the 4.75" canopy to its nearest respective J-Box.

**(B)** Mount the drop anchor to an opposite desired surface to align your pendant where illumination is needed.

**(C)** Vertical and/or horizontal adjustment of the 4' anchor cord and drop retainer for a more precise location may be required (included).

